



Name

Period

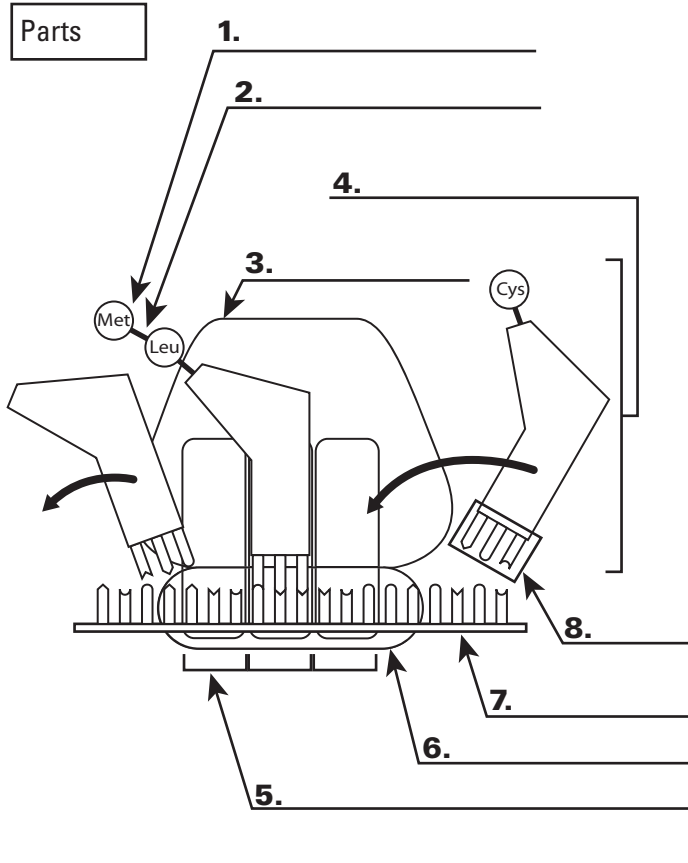
Date

**SECTION 8.5**

TRANSLATION  
**Power Notes**

Reading frame:	<b>Triplet Code</b>	Common language:
	Codon	
Start codon:		Stop codon:
Ribosome	Anticodon	Transfer RNA (tRNA)
•		
•		

**Translation**

<b>Parts</b>		<b>Process</b>
		1.
		2.
		3.

Copyright © McDougal Littell/Houghton Mifflin Company.

**CHAPTER 8**  
From DNA to Proteins